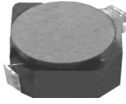


PRH3D28A



FEATURES 特点

* Excellent solderability and high heat resistance
良好的可焊性和高耐热性

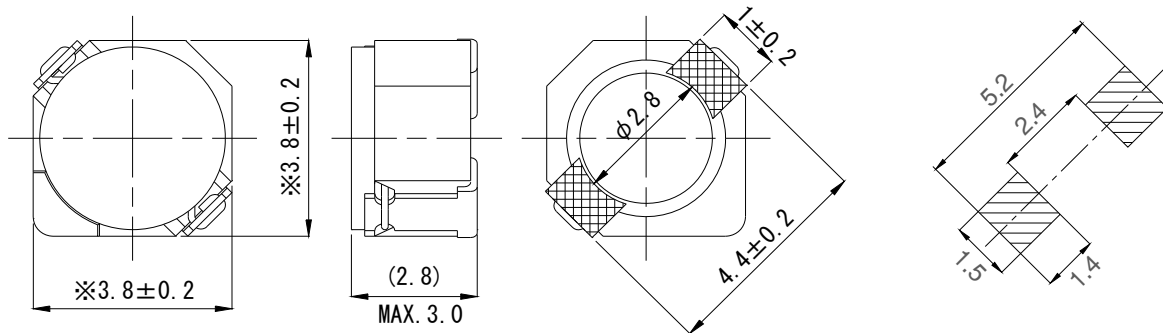
APPLICATION 用途

* DC / DC转换器

MEASURING FREQUENCY 测试频率

* 100KHz 0.3V

Shapes And Dimensions 外形及尺寸示意图



Electrical Characteristics 电气性能

Type 型号	Indicate 表示	Inductance 电感值	D.C.R(Max) 直流电阻(m)	Rated Current(Max) 额定电流(A)
PRH3D2 8A-3R3	3R3	$3.3\mu\text{H} \pm 30\%$	72.1(57.7)	2.00
PRH3D2 8A-4R7	4R7	$4.7\mu\text{H} \pm 30\%$	88.3(70.6)	1.65
PRH3D2 8A-6R8	6R8	$6.8\mu\text{H} \pm 30\%$	119(95)	1.24
PRH3D2 8A-100	100	$10\mu\text{H} \pm 30\%$	145(116)	1.05
PRH3D2 8A-150	150	$15\mu\text{H} \pm 30\%$	213(170)	0.90
PRH3D2 8A-220	220	$22\mu\text{H} \pm 30\%$	335(268)	0.76
PRH3D2 8A-330	330	$33\mu\text{H} \pm 30\%$	481(385)	0.58
PRH3D2 8A-470	470	$47\mu\text{H} \pm 30\%$	599(479)	0.48

* SPQ:2000PCS/REEL